

AVAILABLE THROUGH DISTRIBUTION



BOURNS®

3/8" SQUARE / SINGLE-TURN / CERMET INDUSTRIAL / SEALED

- Available on tape and reel (see page 61 for details)
- Available with a knob for finger adjust
- 15 terminal styles
- Top and side adjust types (F, P, H, W, X most popular)
- High voltage types available (see page 56 for details)

Model 3386

Bourns® Trimming Potentiometer

Electrical Characteristics

Standard Resistance Range 10 to 2 megohms
 (see standard resistance table)
 Resistance Tolerance ±10% std.
 (tighter tolerance available)
 Absolute Minimum Resistance 2 ohms max.
 Contact Resistance Variation 2% or 3 ohms max.
 (whichever is greater)
 Adjustability
 Voltage ±0.05%
 Resistance ±0.15%
 Resolution Infinite
 Insulation Resistance 500 vdc.
 1,000 megohms min.
 Dielectric Strength
 Sea Level 900 vac
 70,000 Feet 350 vac
 Adjustment Angle 280° nom.

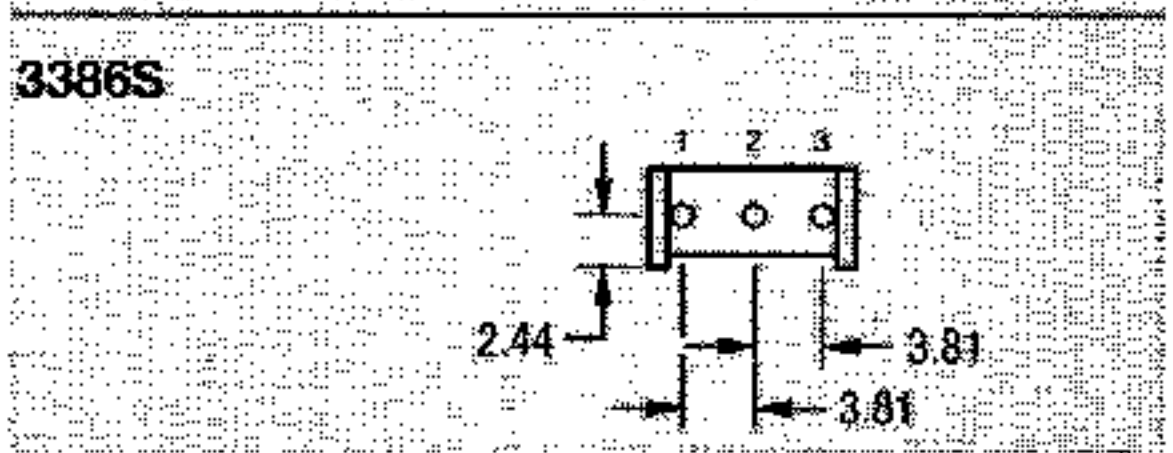
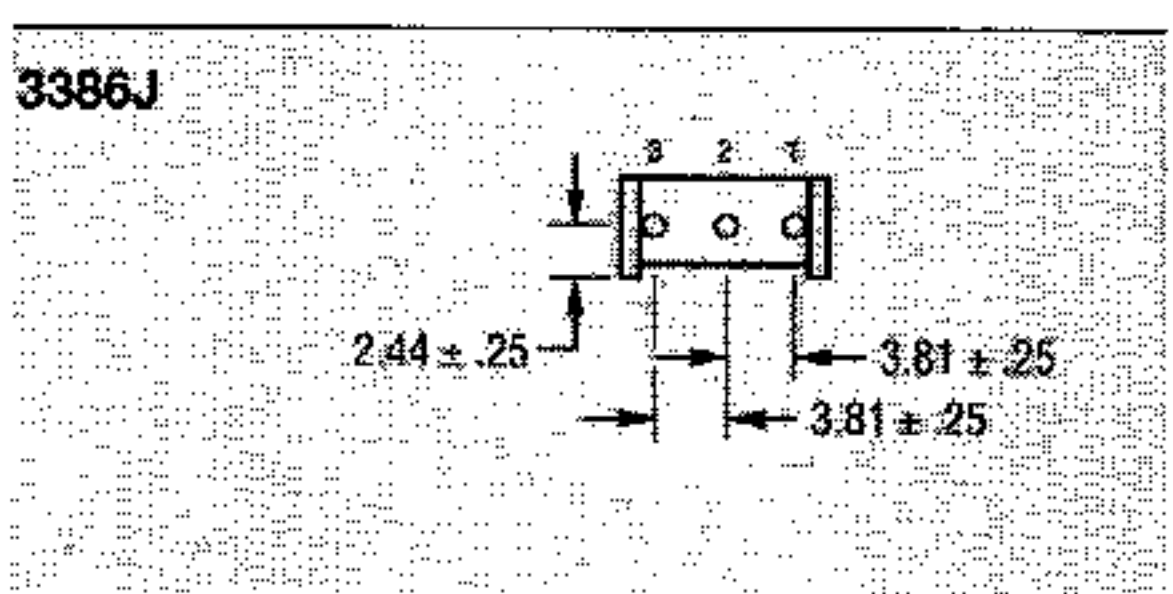
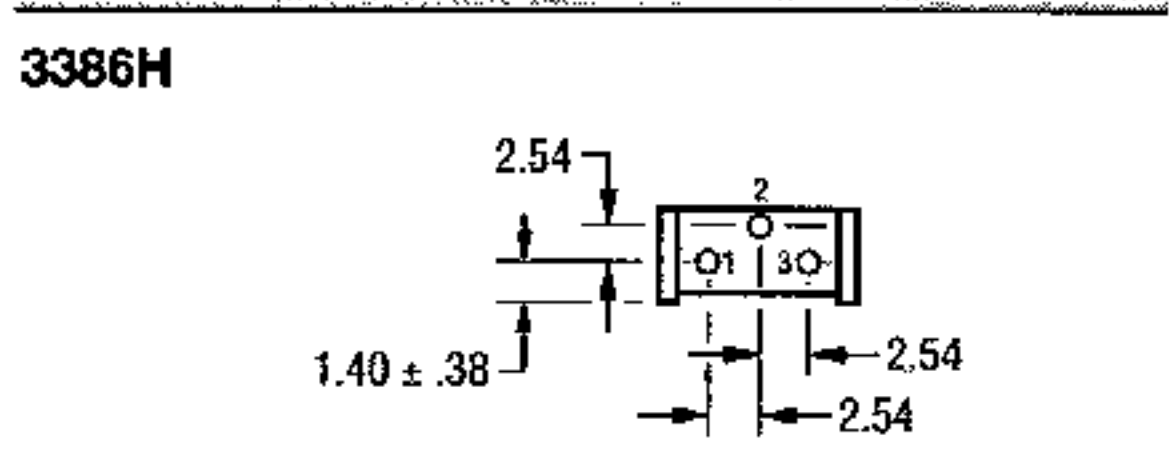
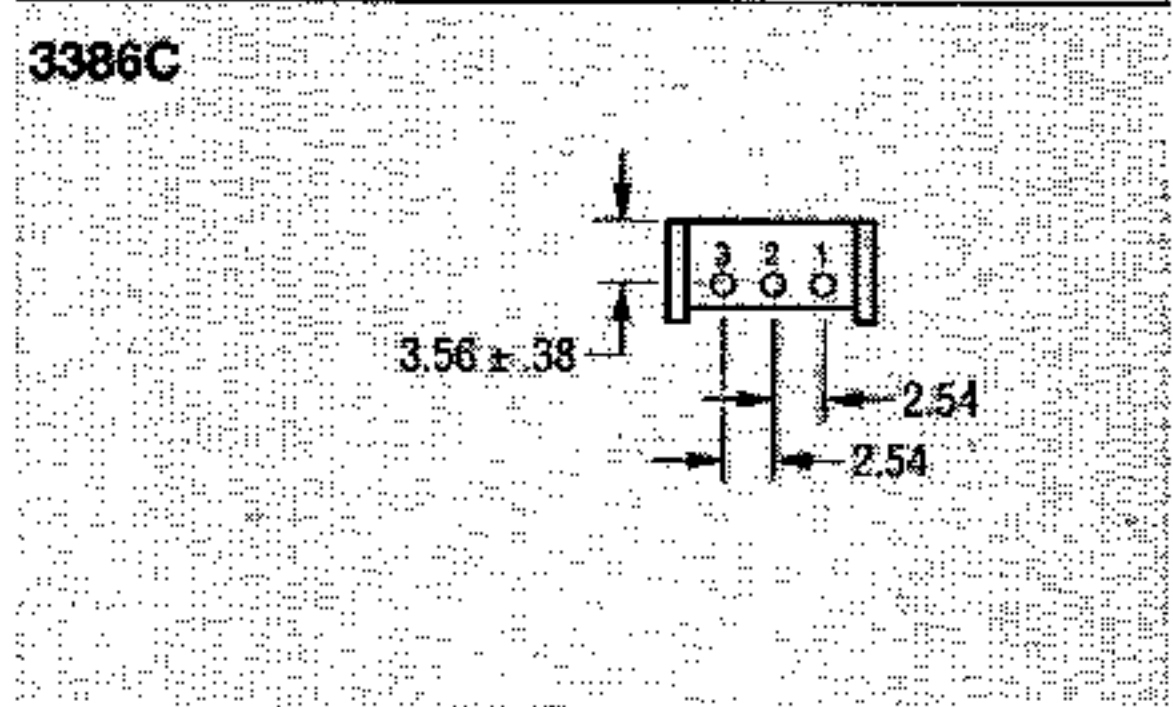
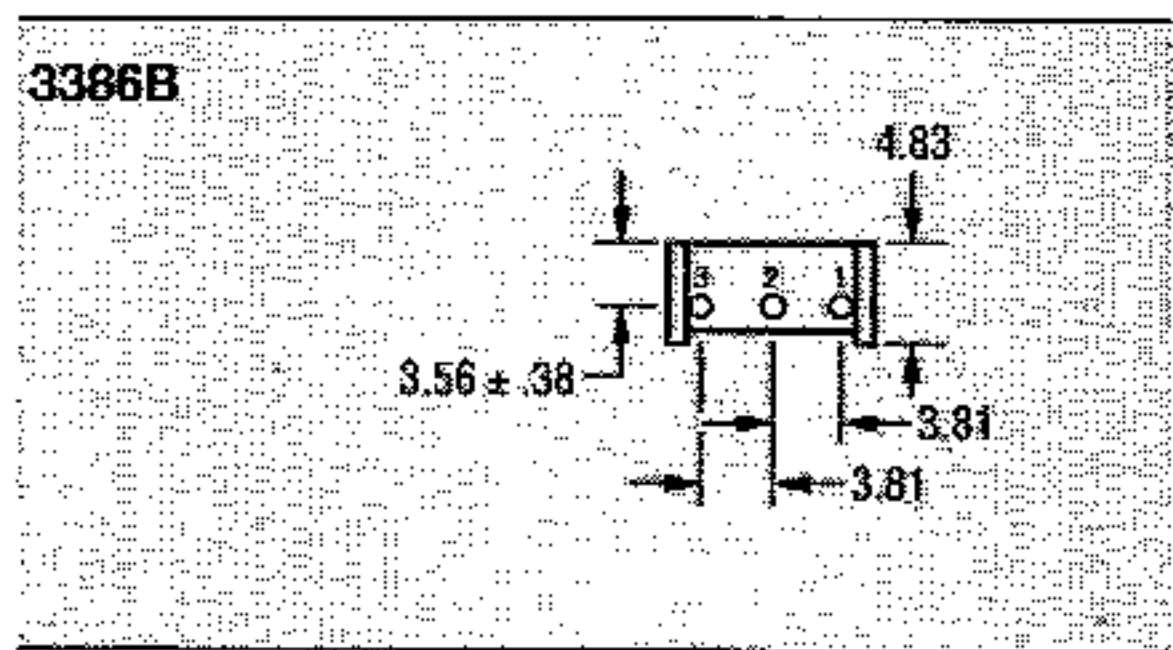
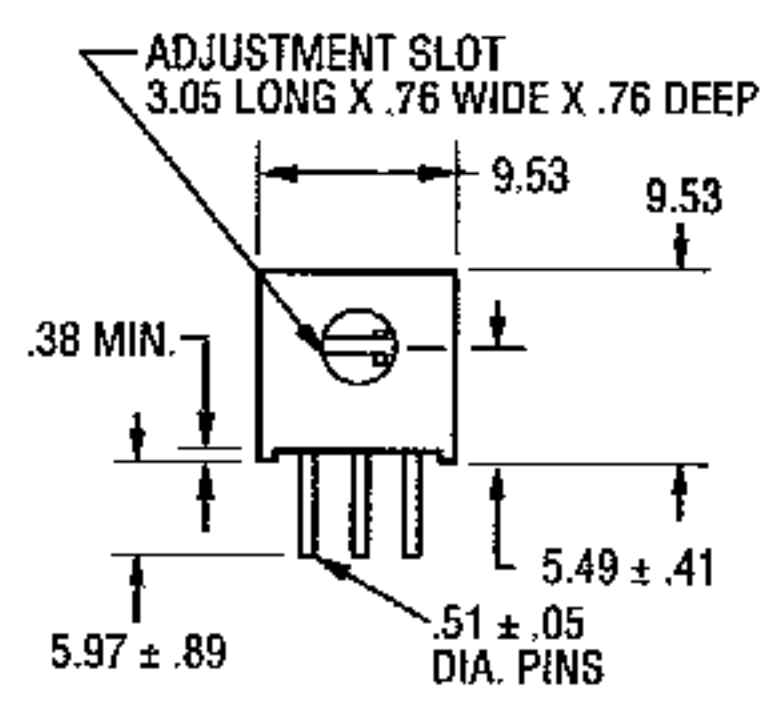
Environmental Characteristics

Power Rating (300 volts max.)
 85°C 0.5 watt
 125°C 0 watt
 Temperature Range -55°C to +125°C
 Temperature Coefficient ±100ppm/°C
 Seal Test 85°C Fluorinert*
 Humidity MIL-STD-202 Method 103
 96 hours
 (2% ΔTR, 10 Megohms min.)
 Vibration 30G (1% ΔTR; 1% ΔVR)
 Shock 100G (1% ΔTR; 1% ΔVR)
 Load Life 1,000 hours 0.5 watt @ 70°C
 (3% ΔTR; 1% or 1 ohm, whichever is greater, CRV)
 Rotational Life 200 cycles
 (4% ΔTR; 1% or 1 ohm, whichever is greater, CRV)

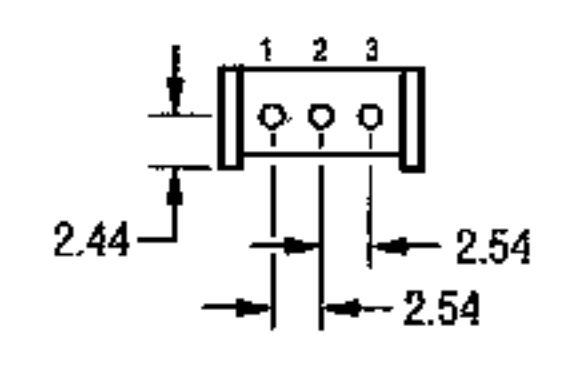
Physical Characteristics

Mechanical Angle 310° nom.
 Torque 5.0 oz-in. max.
 Stop Strength 15.0 oz-in. min.
 Terminals Solderable pins
 Weight 0.03 oz.
 Marking Manufacturer's trademark, resistance code, wiring diagram, date code, manufacturer's model number and style
 Standard Packaging 50 pcs. per tube

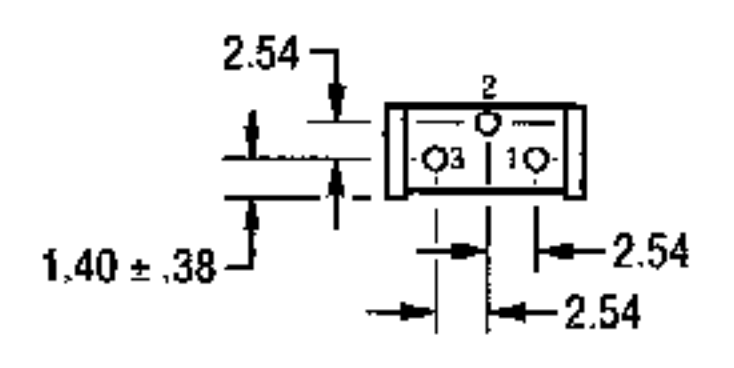
COMMON DIMENSIONS SIDE ADJUST



3386W



3386X



STANDARD RESISTANCE TABLE

Resistance (Ohms)	Resistance Code
10	100
20	200
50	500
100	101
200	201
500	501
1,000	102
2,000	202
5,000	502
10,000	103
20,000	203
25,000	253
50,000	503
100,000	104
200,000	204
250,000	254
500,000	504
1,000,000	105
2,000,000	205

Popular values listed in boldface. Special resistances available.

HOW TO ORDER

3386 P - 1 - 103 T

Model _____
 Style _____
 Standard or Modified _____
 Product Indicator _____
 -1 = Standard Product
 Resistance Code _____
 Optional Suffix Letter _____
 T = Knob
 Consult factory for other available options.

Shaded areas typically not stocked by Distributors and not recommended for new designs. Specifications are subject to change without notice. *"Fluorinert" is a registered trademark of 3M Co.