

Client:	MAGNETEC	Magnetec P/N:	M-3156		
Client's P/N:		PS Index:	03	PS Revision:	02
Subject:	EMC Wandler				

1. Mechanical Outline

Nominal equivalent round core:

25 x 20 x 10

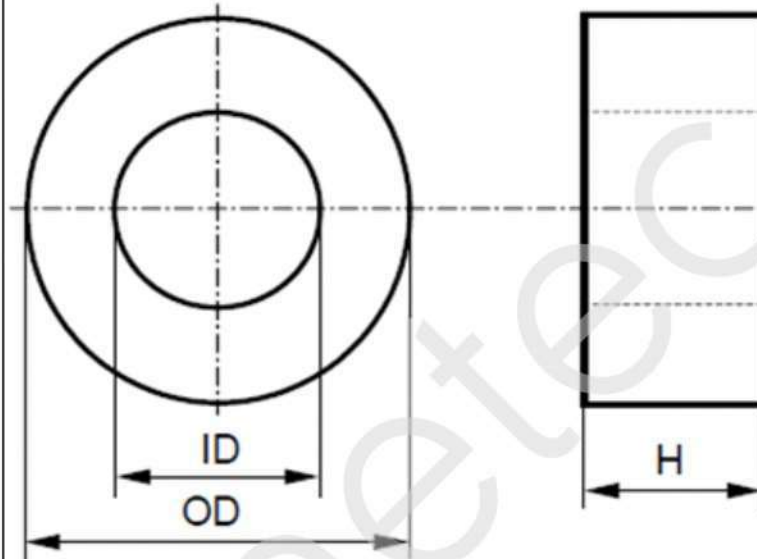
Finished product dimensions:

OD \leq 28.8

ID \geq 16.8

H \leq 13.4

[dimensions] = mm



2. Core data (nominal values)

Core material:	NANOPERM®	$L_{Fe} = 7.06 \text{ cm}$	$A_{Fe} = 0.2 \text{ cm}^2$
Permeability level:	120 000	@ frequency 10 kHz	@ H peak

3. Inspection values (at room temperature, unless otherwise stated)

Measured value	Measurement limits	Frequency	$l_{eff} \times N$ [mA x turn]
AL[μH]	30.0 - 53.0	10kHz	0.3V, Ls, RT
AL[μH]	5.0 - NA	100kHz	0.3V, Ls, RT

4. Core finishing

Type:	Cased
Marking:	
Packaging:	69 pcs. per layer; 6 layers per carton box; PU = 414 pcs.

5. Comments

Visit http://www.magnetec.de/fileadmin/pdf/pb_ds.pdf for further information.

Index / Revision	Alteration	Date
03/02	Revise case dimensions and AL at 10kHz	02.04.2022
03/01	Revise case dimensions	17.04.2015
02/01	Revise case dimensions	08.04.2013
01/01	Create	24.06.2011

Created:	San Yusen Zhou 02.04.2022	Approved (Techn):	P. Seiz 23.06.2022	Approved (Quality):	Jacky Jianning Chen 23.06.2022	Released:	San Yusen Zhou 23.06.2022
-----------------	------------------------------	--------------------------	-----------------------	----------------------------	-----------------------------------	------------------	------------------------------