

300mW Audio Power Amplifier with Shutdown Mode

FEATURES

- 1.0% (Max) THD at 1kHz at 300mW Continuous Average Output Power into 8Ω
- 1.0% (Max) THD at 1kHz at 300mW Continuous Average Output Power into 16Ω
- Shutdown Current 0.1μA (typ)
- MSOP Packaging
- No Output Coupling Capacitors, Bootstrap Capacitors, or Snubber Circuits are Necessary
- Unity-gain Stable
- External Gain Configuration Capability
- 300mW Output Power Guaranteed
- Single Supply Operation

APPLICATIONS

- Cellular Phones
- Personal Computers
- General Purpose Audio

TYPICAL OPERATING CIRCUIT

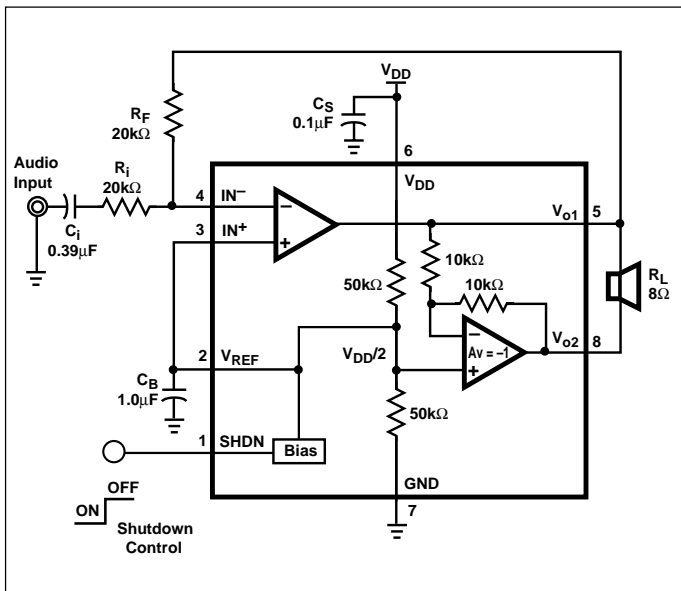


Figure 1

GENERAL DESCRIPTION

The TC4864 is a bridged audio power amplifier capable of delivering 300 mW of continuous average power into an 8Ω load with 1% (THD) from a 5V power supply.

The TC4864 audio power amplifier is specifically designed to provide high quality output power from a low supply voltage, while requiring very few external components.

The TC4864 does not require output coupling, or bootstrap, capacitors; nor does it require snubber networks. Because of this, it is ideal for low-power portable applications.

The TC4864 features an externally controlled, low power consumption shutdown mode (Active High). The closed loop response of the unity-gain stable TC4864 can be configured by external gain-setting resistors. The device is offered in a space-saving 8-Pin MSOP package to suit applications where minimal board space layouts are essential. The TC4864 operates over an input supply voltage range of 2.7V to 5.5V.

ORDERING INFORMATION

Part Number	Package	Temp. Range
TC4864EUA	8-Pin MSOP	-40°C to +85°C

PIN CONFIGURATION

