

Surface Mount

# Power Splitter/Combiner

6 Way-0° 50Ω 2 to 250 MHz



AD6PS-1



CASE STYLE: CJ725  
PRICE: \$26.95 ea.  
QTY.: (10-49)

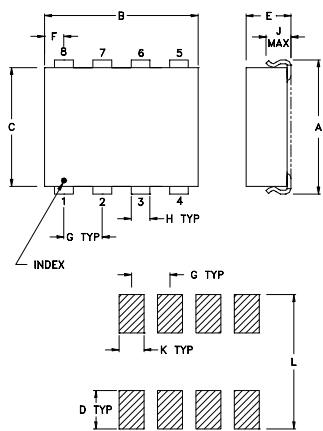
## Maximum Ratings

Operating Temperature	-20°C to 85°C
Storage Temperature	-55°C to 100°C
Power Input (as a splitter)	0.5W max.
Internal Dissipation	0.5W max.

## Pin Configuration

SUM PORT	1
PORT 1	8
PORT 2	7
PORT 3	6
PORT 4	5
PORT 5	4
PORT 6	3
GROUND	2

## Outline Drawing



FOOT PRINT  
FOR PC DESIGN

## Outline Dimensions (inch mm)

A	B	C	D	E	F	G	H
.360	.400	.29	.120	.210	.050	.100	.040
9.14	10.16	7.37	3.05	5.33	1.27	2.54	1.02
J	K	L	wt.				
.065	.060	.420	grams				
1.65	1.52	10.67	.45				

## Features

- wideband, 2 - 250 MHz
- high isolation, 30 dB typ.
- good input port matching VSWR, 1.20 typ.
- good output port matching VSWR, 1.10 typ.
- small surface mount package

## Applications

- VHF-TV

## Electrical Specifications

FREQ. RANGE (MHz)	ISOLATION (dB)			INSERTION LOSS (dB) ABOVE 7.8 dB			PHASE UNBALANCE (Degrees)			AMPLITUDE UNBALANCE (dB)								
	L	M	U	L	M	U	L	M	U	L	M	U						
$f_L$ - $f_U$	Typ.	Min.	Typ. Min.	Typ. Min.	Typ. Max.	Typ. Max.	Typ. Max.	Max.	Max.	Max.	Max.	Max.	Max.					
2-250	35	17	30	20	27	20	0.2	0.6	0.2	0.8	0.6	1.5	2	6	9	0.3	0.4	0.5

L= 2-20 MHz M= 20-125 MHz U= 125-250 MHz

## Typical Performance Data

Frequency (MHz)	Insertion Loss (dB)	Amplitude Unbalance (dB)	Isolation (dB)		Phase Unbalance (Deg.)	VSWR S	VSWR OUT
			Adjacent	Opposite			
2.00	8.07	0.02	44.32	21.86	0.17	1.12	1.43
3.00	8.03	0.02	46.13	23.38	0.15	1.10	1.33
4.00	8.01	0.02	46.77	24.50	0.14	1.09	1.28
5.00	8.01	0.01	46.81	25.38	0.22	1.09	1.25
10.00	8.00	0.02	45.82	27.85	0.32	1.08	1.17
20.00	8.00	0.03	44.12	29.38	0.52	1.08	1.13
30.00	8.03	0.02	42.21	29.73	0.80	1.09	1.12
40.00	8.04	0.03	40.48	29.69	0.98	1.10	1.12
50.00	8.07	0.03	39.00	29.54	1.28	1.11	1.11
80.00	8.12	0.03	36.01	28.87	2.03	1.15	1.10
140.00	8.30	0.04	33.66	27.80	3.30	1.19	1.09
170.00	8.31	0.06	33.93	27.65	3.95	1.18	1.10
200.00	8.45	0.08	35.49	27.95	4.50	1.14	1.12
230.00	8.58	0.11	38.19	28.94	4.94	1.13	1.15
250.00	8.72	0.17	37.43	30.14	5.29	1.18	1.17

