

Features

- Fully programmable line impedance, network balance impedance and gains.
- Programmable loop current with long loop capability
- 2-4 Wire conversion.
- Power down and wake up.
- Battery feed to line with wide operating range.
- Off-hook and dial pulse detection.
- Over-current protection.
- Integral ringing amplifier with auto ring trip.
- Tip/Ring reversal.
- Meter pulse injection.
- On-hook transmission to the line capability.
- Relay driver.
- Short loop ringing capability with low voltage DC supply.

Applications

Line interface for:

- PABX/Key Telephone System.
- Analog Terminal Adaptors.
- Pair Gain System.
- Fibre in the Loop/Wireless Local Loop.

ISSUE 2

March 1997

Ordering Information

MH88617AV-P	21 Pin SIL Package
MH88617AD-P	28 Pin DIL Package
MH88617AS-P	28 Pin SM Package
0°C to 70°C	
MH88617AV-PI	21 Pin SIL Package
MH88617AD-PI	28 Pin DIL Package
MH88617AS-PI	28 Pin SM Package
-40°C to 85°C	

Description

The Mitel MH88617 is a highly featured, low cost Subscriber Line Interface Circuit (SLIC). It provides a total analog transmission and signalling link between a CODEC and a subscriber line. All functions are integrated into a single thick film hybrid module, which provides high reliability and optimum circuit design needing a minimum of external components.

The line impedance, network balance impedance, gain and loop current are all externally programmable, making the device suitable for a wide range of applications worldwide.

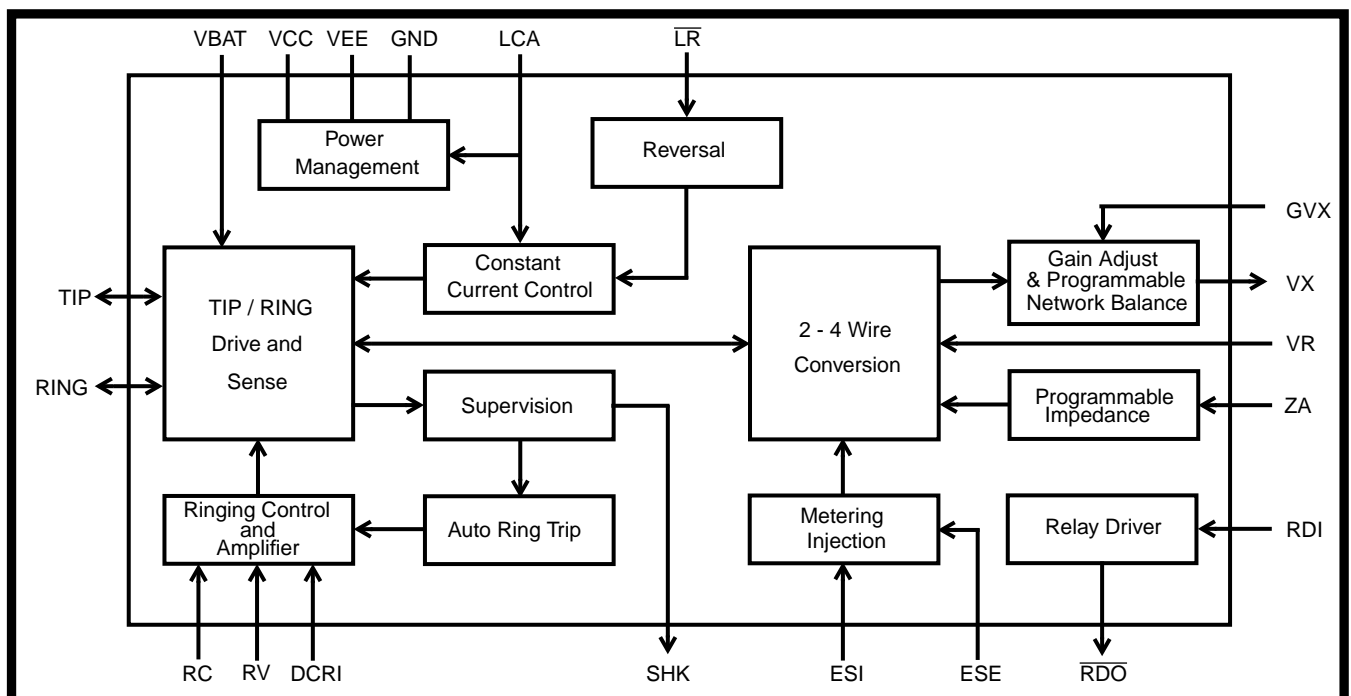


Figure 1 - Functional Block Diagram