

INTRODUCTION

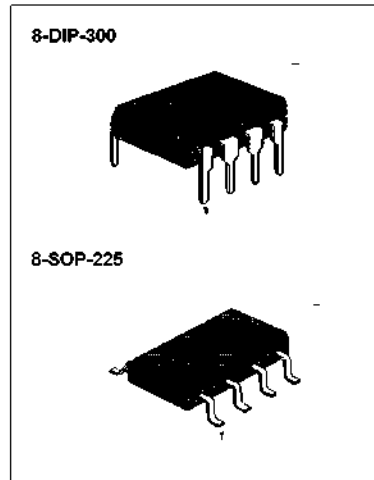
The KA567 is monolithic phase locked loop system designed to provide a saturated transistor switch to GND, when an input signal is present within the passband. External components are used to independently set center frequency bandwidth and output delay.

FEATURES

- Wide frequency range (0.01Hz ~ 500KHz).
- Bandwidth adjustable from 0 to 14%.
- Logic compatible output with 100mA current sinking capability.
- Inherent immunity to false signals.
- High rejection of out-of-band signals and noise.
- Frequency range adjustable over 20:1 range by an external resistor.

APPLICATIONS

- Touch Tone Decoder.
- Wireless Intercom.
- Communications paging decoders.
- Frequency monitoring and control.
- Ultrasonic controls. (remote TV etc.)
- Carrier current remote controls.
- Precision oscillator.



ORDERING INFORMATION

| Device | Package | Operating Temperature |
|--------|-----------|-----------------------|
| KA567 | 8-DIP-300 | 0 ~ + 70°C |
| KA567D | 8-SOP-225 | |

BLOCK DIAGRAM

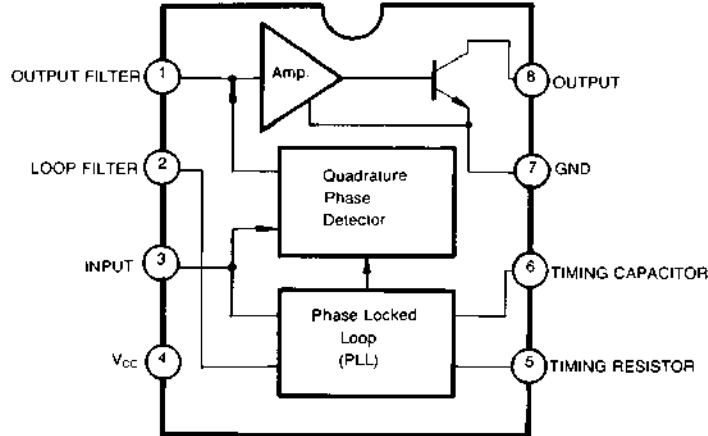


Fig. 1