

## General Description

SY5600A is a single stage Flyback controller with HV start up circuit targeting at Constant Current/Constant Voltage (CC/CV) applications. Both the output current and voltage are sensed on the primary side, eliminating the opto-isolator and the secondary side feedback circuitry, and minimizing the overall system cost.

SY5600A adopts the quasi-resonant operation and the adaptive PWM/PFM control to achieve the highest average efficiency and the best EMI performance.

SY5600A provides reliable protections including VCC Over Voltage Protection, Short Circuit Protection (SCP), Over Temperature Protection (OTP), Output voltage OVP protection (OVP), and VSEN pin short protection.

## Ordering Information

SY5600 □(□□)□  
 └───┬───┬───  
 Temperature Code  
 Package Code  
 Optional Spec Code

Ordering Number	Package type	Note
SY5600AFAC	SO8	----

## Features

- Tight Primary Side CV/CC Regulation
- HV Start-up Circuit Integrated
- PWM/PFM Control for Higher Average Efficiency
- Internal CC/CV Loop Compensation
- Maximum Switching Frequency Limitation 200kHz
- Driver Source/Sink Current:160mA/750mA
- Low Start-up Current: 3μA Maximum
- Reliable Protections for OVP, SCP, OTP
- Compact Package: SO8

## Applications

- PoE Powered Devices
- DC/DC Convertors
- Security Cameras
- Telecom Systems

## Typical Applications

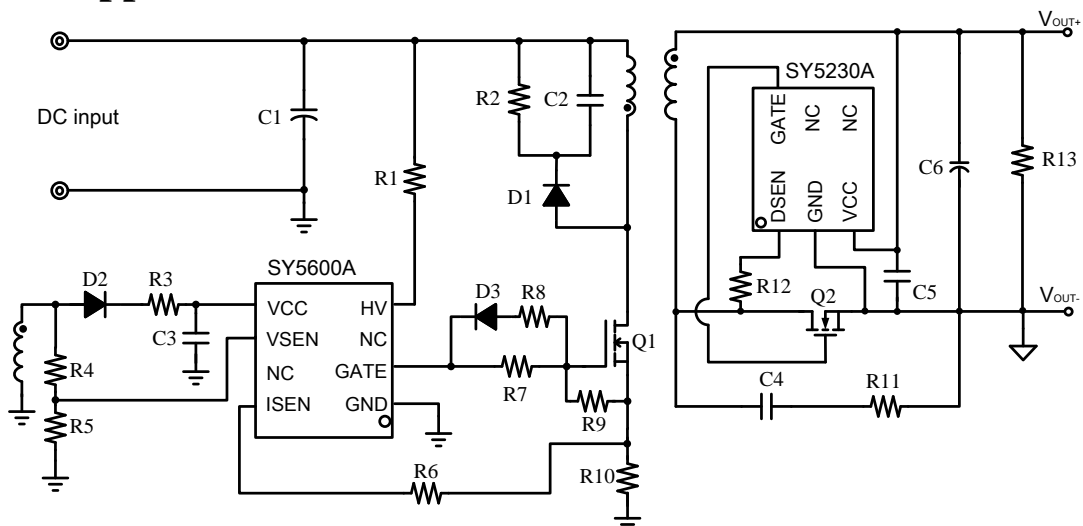


Fig.1 Schematic Diagram