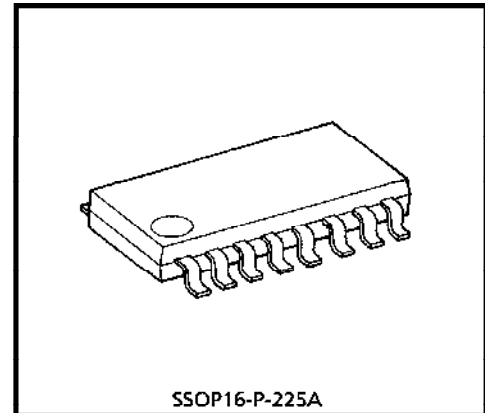


STEREO HEADPHONE AMPLIFIER (3V USE)

The TA7688F is a stereo headphone power amplifier IC designed for portable cassette player applications.

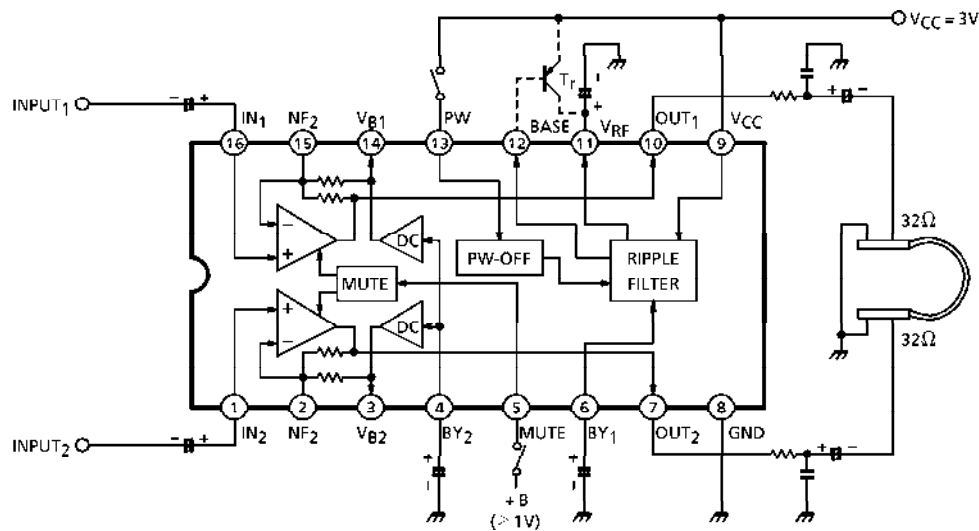
FEATURES

- Small installed area and few external parts
- Low supply current : $I_{CCQ} = 7\text{mA}$ (Typ.) at 3V
- Built-in a ripple filter
- Built-in a power amplifier mute
- Built-in a power off circuit
- Operating supply voltage range : $V_{CC}(\text{opr}) = 1.8\sim 5\text{V}$
- Recommended supply voltage : $V_{CC} = 3\text{V}$
- The standard model is TA7688F (SO)



Weight : 0.14g (Typ.)

BLOCK DIAGRAM



Dotted Line is an additional circuit to boost the stabilized current. (Option)

© The information contained herein is presented only as a guide for the applications of our products. No responsibility is assumed by TOSHIBA CORPORATION for any infringements of intellectual property or other rights of the third parties which may result from its use. No license is granted by implication or otherwise under any intellectual property or other rights of TOSHIBA CORPORATION or others.

© These TOSHIBA products are intended for use in general commercial applications (office equipment, communication equipment, measuring equipment, domestic appliances, etc.). please make sure that you consult with us before you use these TOSHIBA products in equipment which requires extraordinarily high quality and/or reliability, and in equipment which may involve life threatening or critical application, including but not limited to such uses as atomic energy control, airplane or spaceship instrumentation, traffic signals, medical instrumentation, combustion control, all types of safety devices, etc. TOSHIBA cannot accept and hereby disclaims liability for any damage which may occur in case the TOSHIBA products are used in such equipment or applications without prior consultation with TOSHIBA.