

UTC UC3842A/3843A LINEAR INTEGRATED CIRCUIT

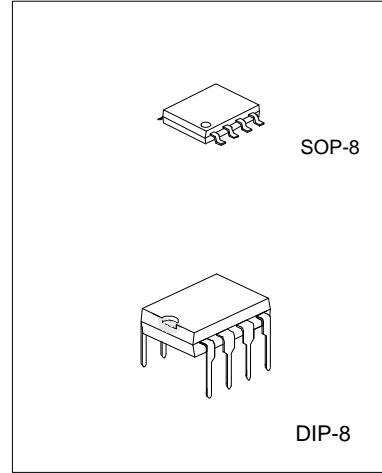
CURRENT MODE PWM CONTROL CIRCUITS

DESCRIPTION

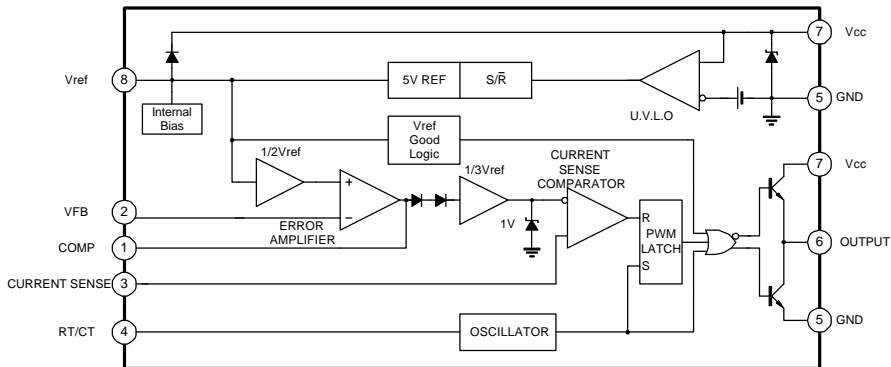
The UTC UC3842A/3843A provide the necessary functions to implement off-line or DC to DC fixed frequency current mode , controlled switching circuits with a minimal external part count

FEATURES

- *Low external part count.
- *Low start up current (Typical 0.12mA)
- *Automatic feed forward compensation
- *Pulse-by-Pulse current limiting
- *Under-voltage lockout with hysteresis
- *Double pulse Suppression
- *High current totem pole output to drive MOSFET directly
- *Internally trimmed band gap reference
- *500kHz operation



BLOCK DIAGRAM



ABSOLUTE MAXIMUM RATINGS(Ta=25°C)

PARAMETER	SYMBOL	VALUE	UNIT
Supply Voltage(Low Impedance Source)	V _{CC}	30	V
Supply Voltage(I _{CC} <30mA)	V _{CC}	Self Limiting	V
Output Current (Peak)	I _o	+1	A
Output Energy(capacity Load)		5	μJ
Analog Inputs(pin 2,3)	V _{I(ANA)}	-0.3 ~ +6.3	V
Error Amplifier Output Sink Current	I _{SINK(EA)}	10	mA
Power Dissipation	PD DIP-8	at T _{amb} ≤25°C 1.0	W
	SOP-8	at T _{amb} ≤25°C 0.5	W
Lead Temperature(Soldering 10 Sec)	T _{lead}	300	°C